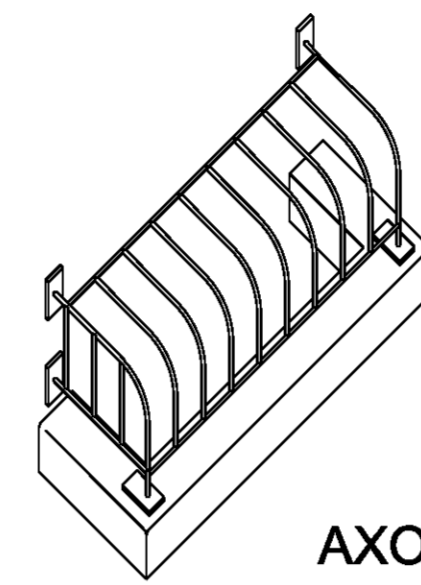
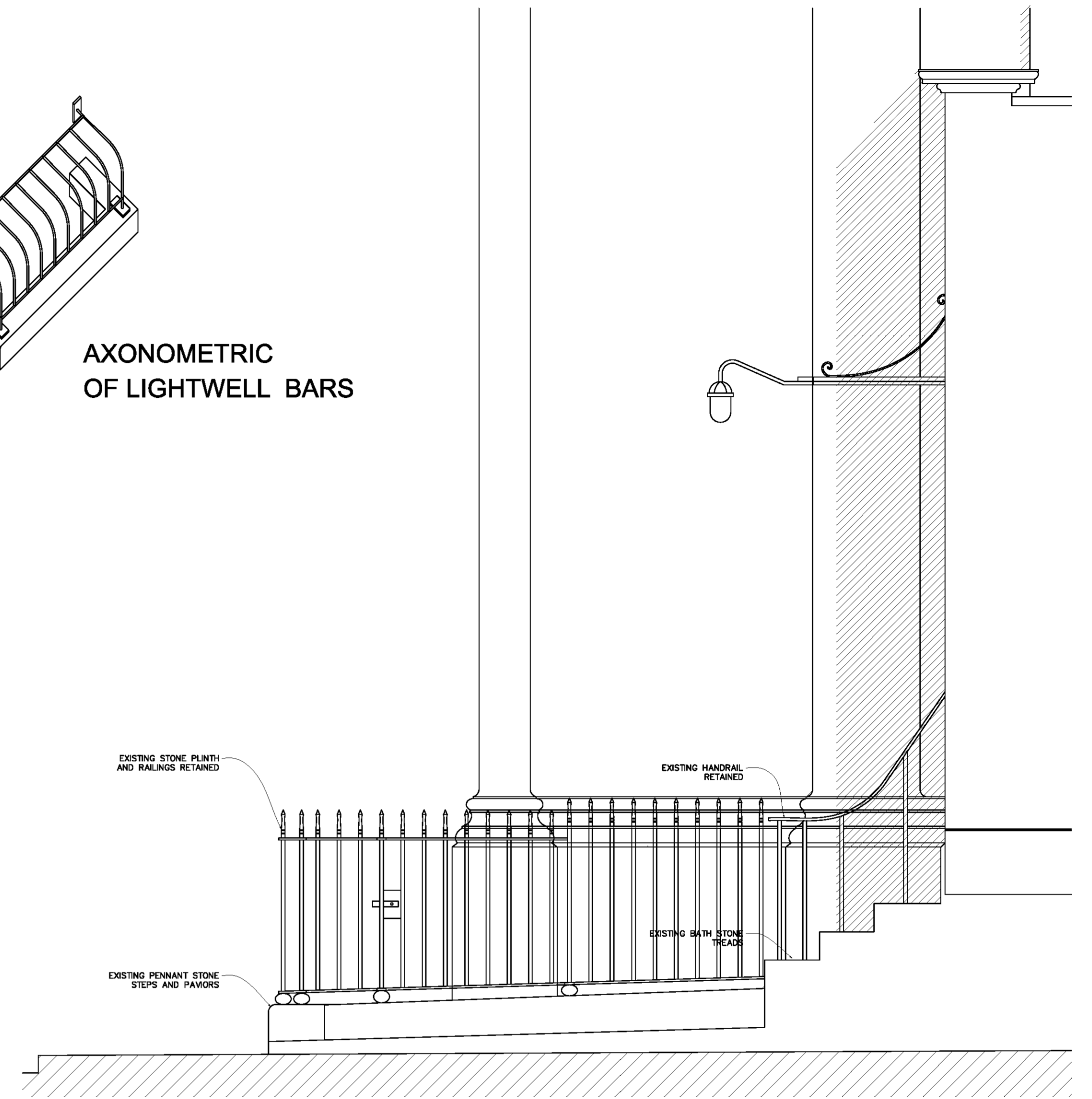




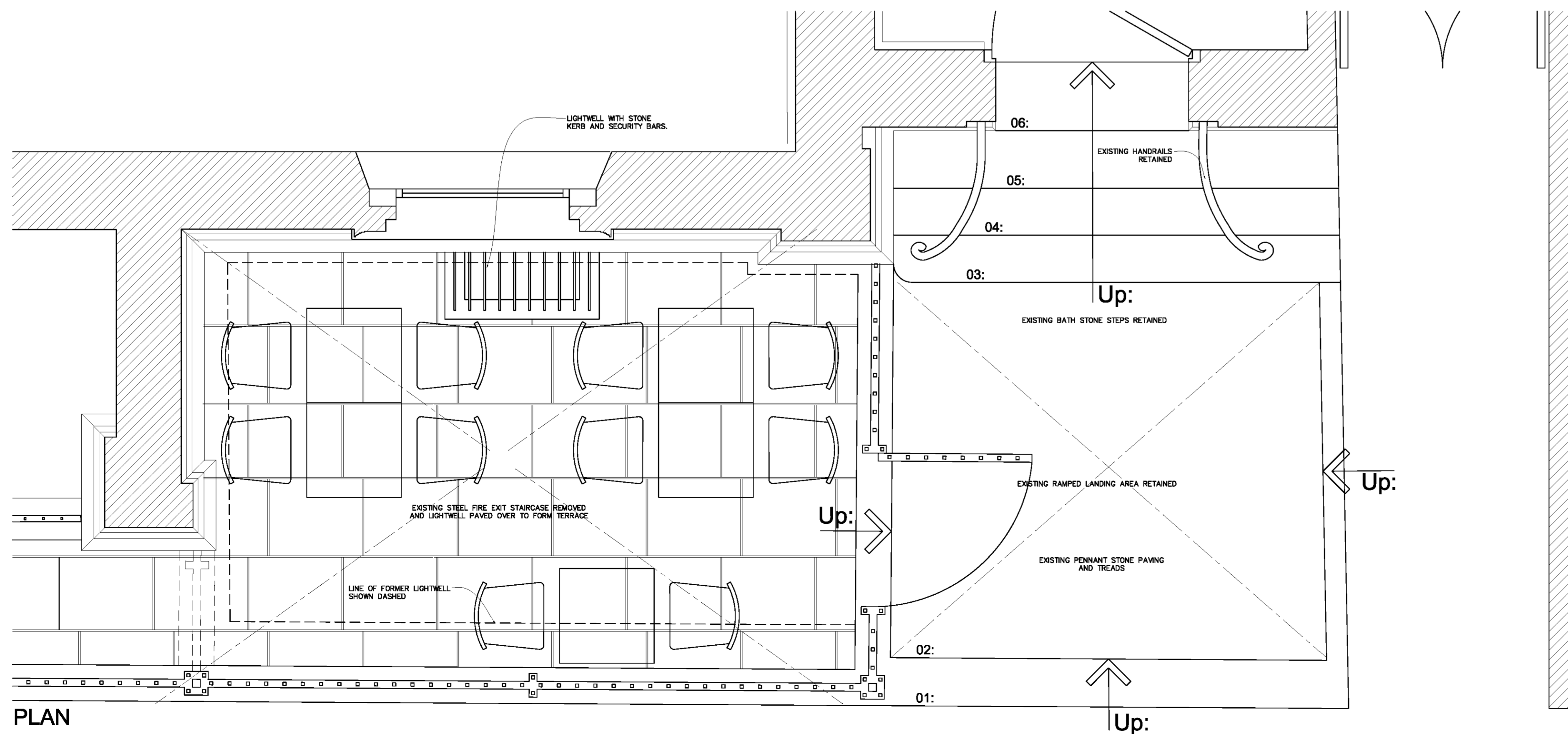
ELEVATION



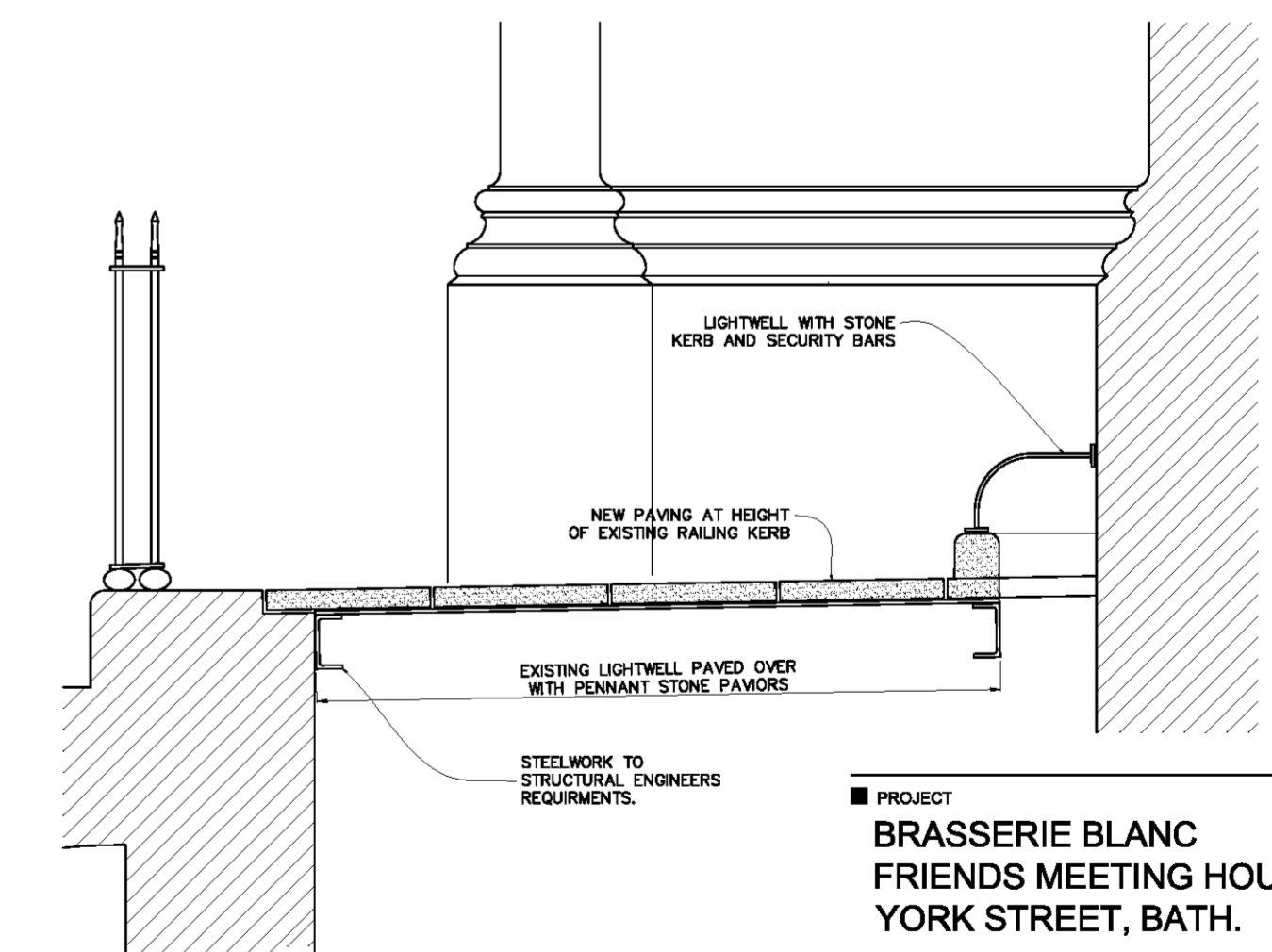
AXONOMETRIC OF LIGHTWELL BARS



END ELEVATION



PLAN



SECTION THRU SEATING TERRACE

PROJECT
BRASSERIE BLANC
 FRIENDS MEETING HOUSE,
 YORK STREET, BATH.

DRAWING TITLE
DETAILS OF WEST TERRACE
 AND WEST ENTRANCE STEPS

SCALE
 1:20@A1
 1:40@A3

DATE
 15/05/08

DRAWING NUMBER
1407/28

REVISION
A



PNW Design Limited
 Telephone 020 8948 9556