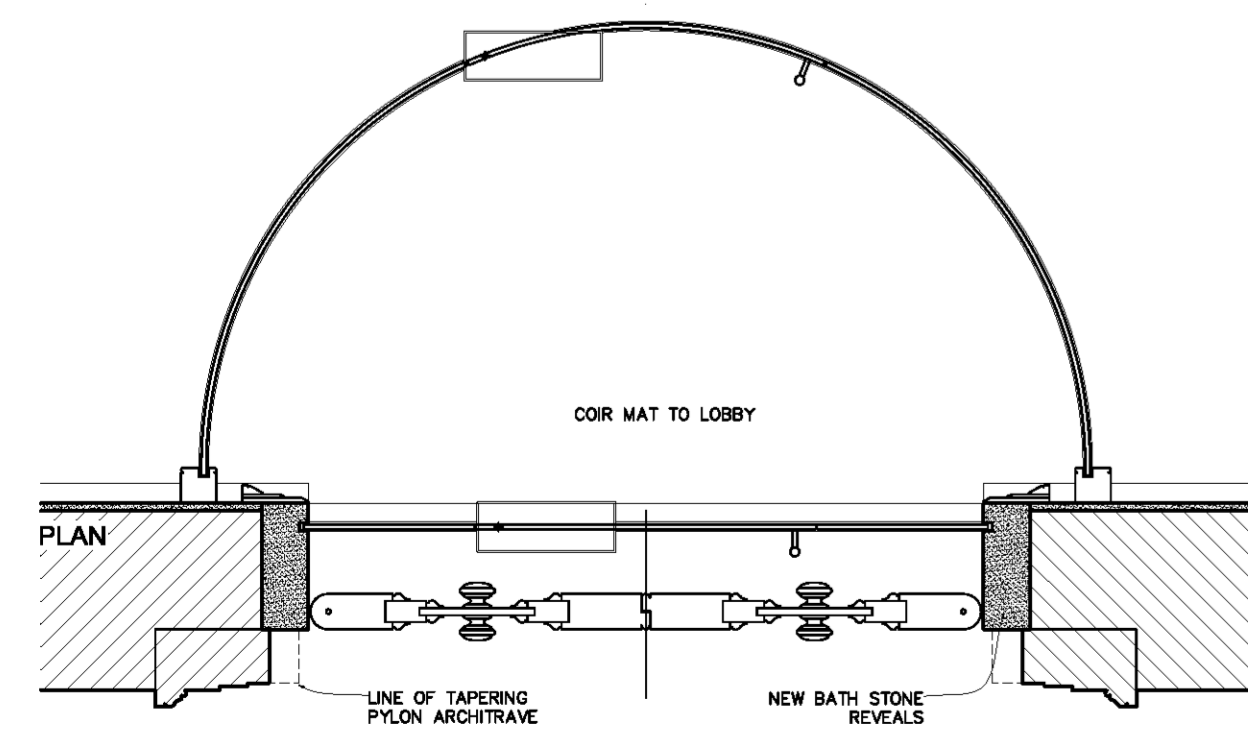
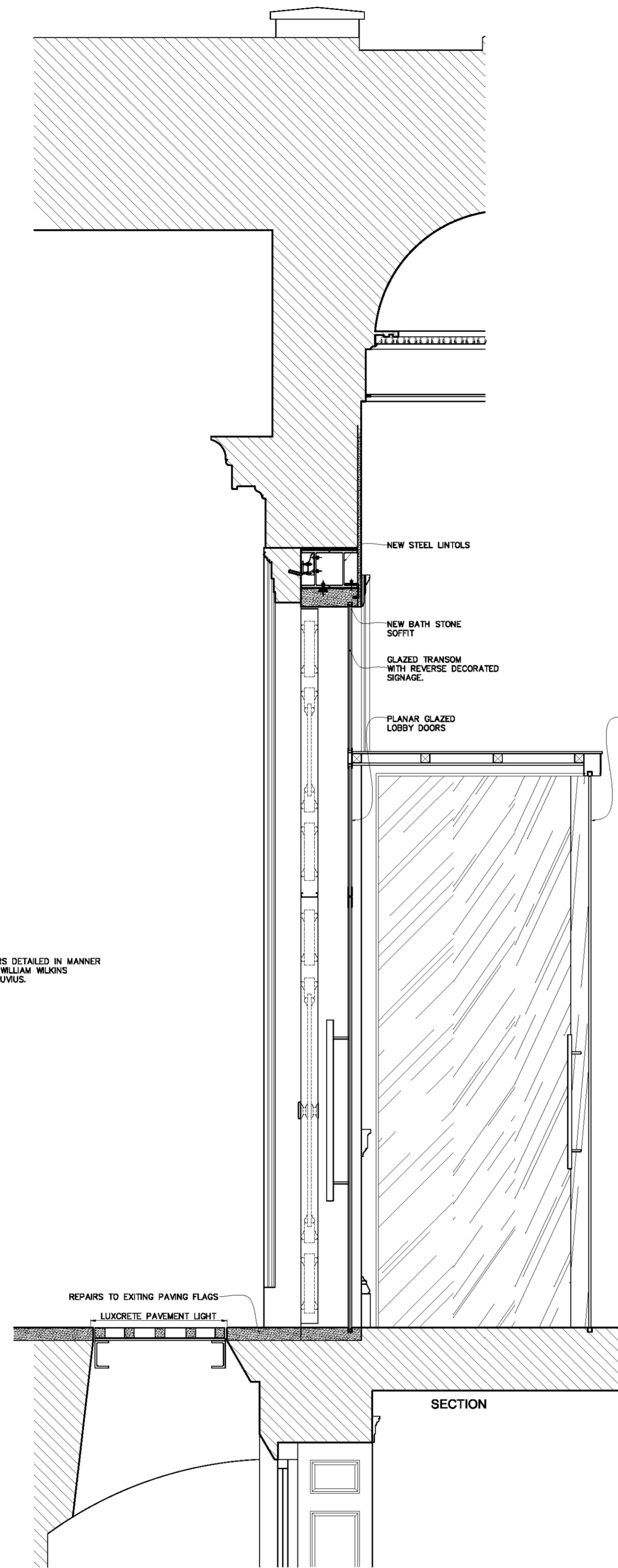


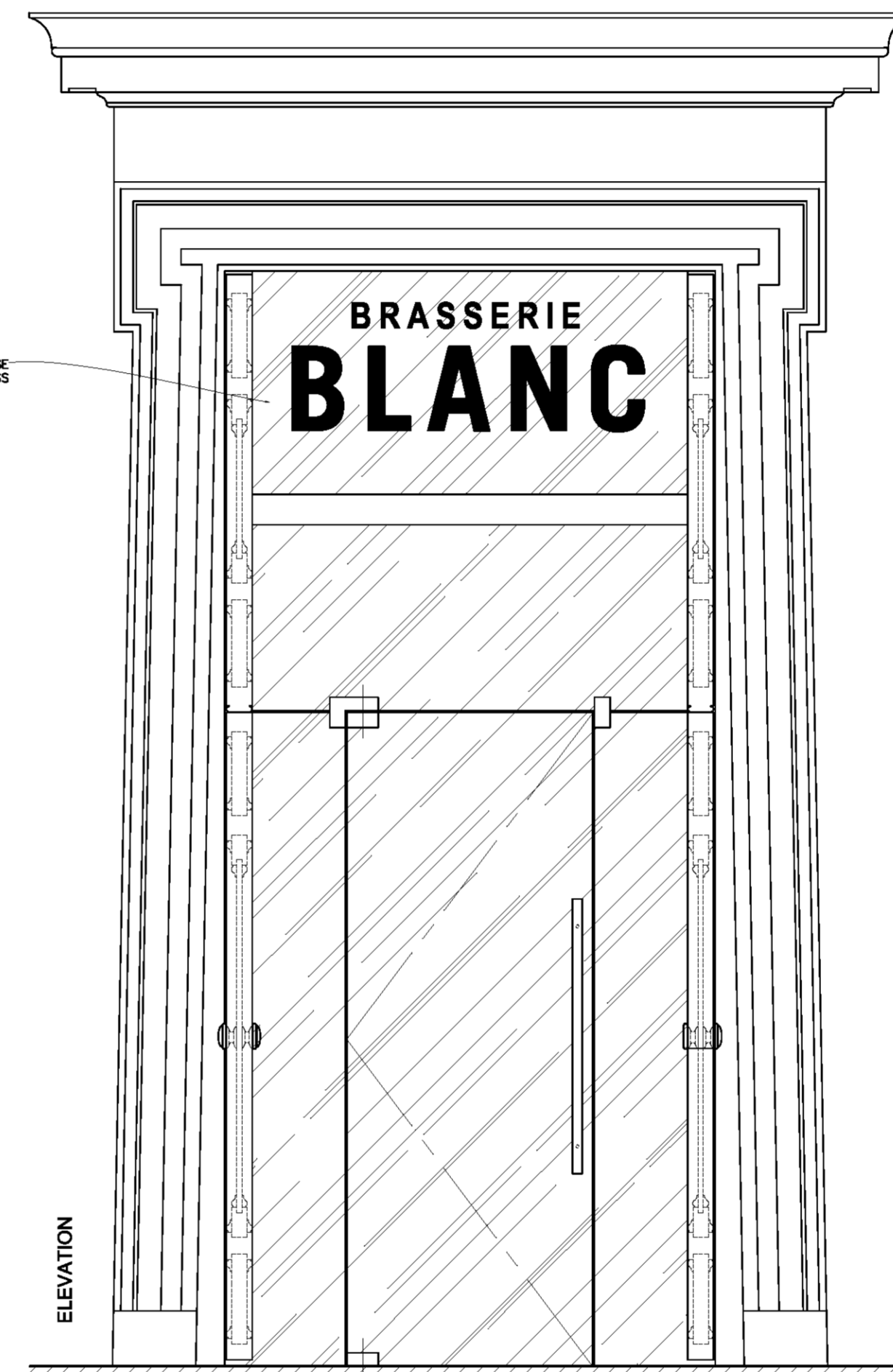
EXTERNAL ELEVATION OF ENTRANCE DOORS
CLOSED



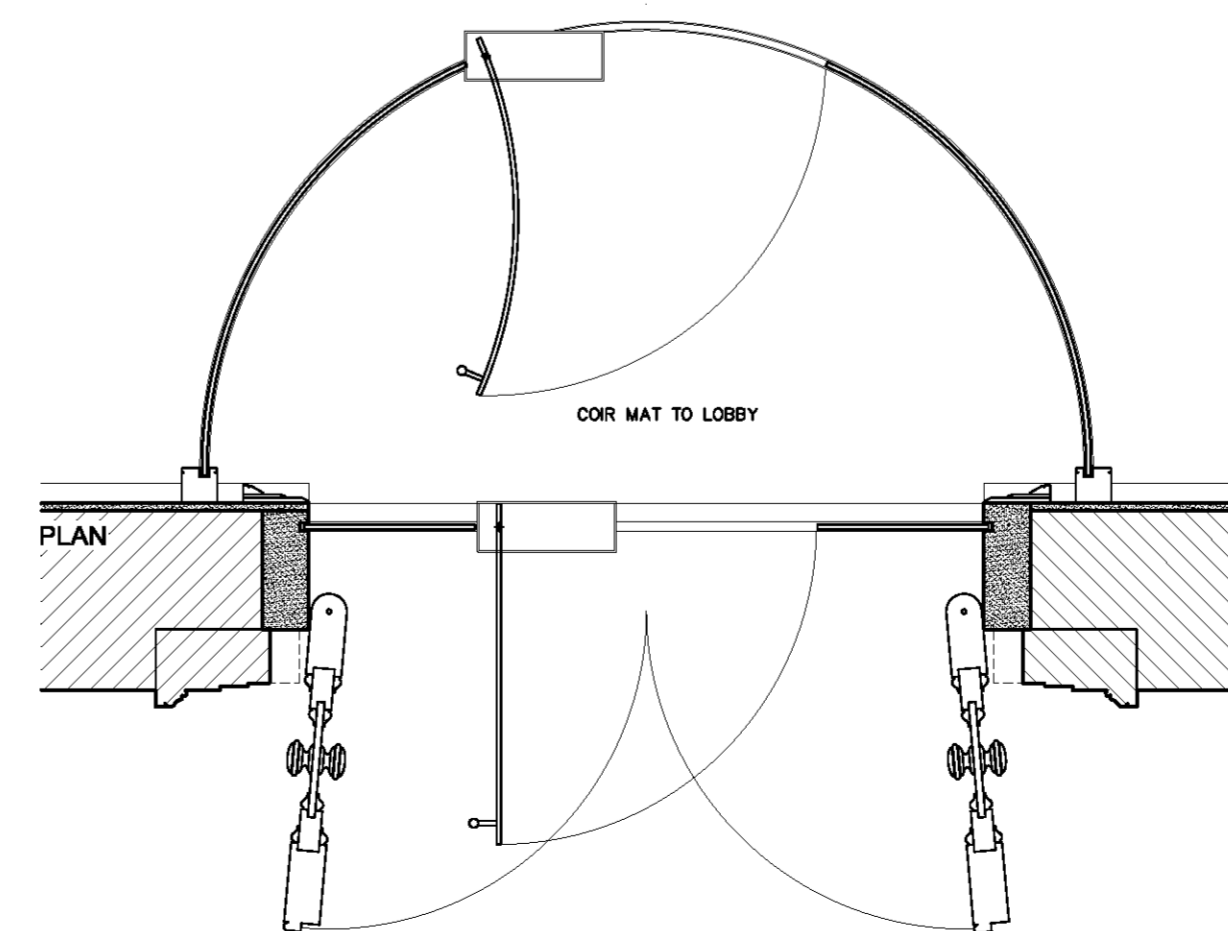
PLAN OF ENTRANCE DOORS
CLOSED



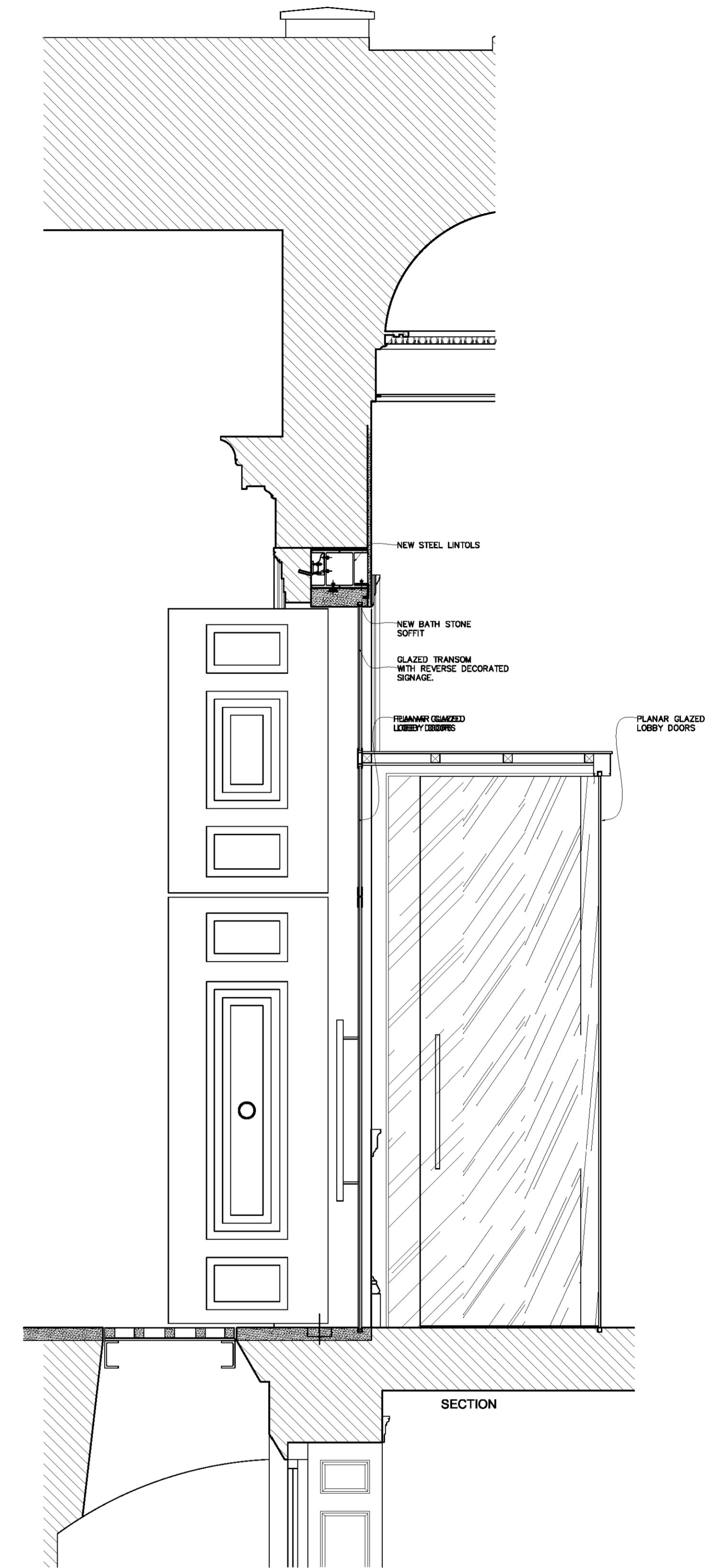
SECTION



EXTERNAL ELEVATION OF ENTRANCE DOOR
OPEN



PLAN OF ENTRANCE DOOR
OPEN



SECTION

PROJECT
BRASSERIE BLANC
FRIENDS MEETING HOUSE,
YORK STREET, BATH.

DRAWING TITLE
MAIN ENTRANCE DOOR DETAILS

SCALE: 1:20@A1
1:40@A3

DATE: 15/05/08

DRAWING NUMBER: 1407/29

REVISION: C